



# Garden Tools

*autumn*



CHANGZHOU CLEANSPEED TOOLS CO.,LTD



# ELECTRIC PRODUCTS





## 230V Electric Chain Saw

### A07-001E

Voltage/Frequency:	230-240V~/50Hz
Rated power:	2400W
No load speed:	7,000/min
Chain/bar length:	400mm/16"
Chain speed:	13.5m/s
Power plug:	2x1.5mm <sup>2</sup> with VDE plug
Length:	35cm
Carton measurement (mm):	470*275*420 (2PCS/CTN)
G.W/N.W(Kg):	12.1/10.8
Pcs. per 20' FCL:	1080
Pcs. per 40' FCL:	2060
Pcs. Per 40' HQ FCL:	2400

Handle with soft grip

Dual-action safety switch

Chain brake

Oil window

Tool-free chain tensioning





## 230V Electric Pole Saw

### A12-003A

Rated vol:	230V
Motor:	brush motor
Chain Speed:	8m/s
Power:	750W
Cutting diameter:	200mm(8")
Oil tank capacity:	60ml
Max length:	2.5 m
Min length:	1.7 m
Carton measurement (mm):	1286*225*108 (2 pcs included)
G.W/N.W(Kg):	8/7
Pcs. per 20' FCL:	1892
Pcs. per 40' FCL:	4004
Pcs. Per 40' HQ FCL:	4368





## 230V Electric Blower

### A02-002A

Rated vol:	230V
Motor:	brush motor
No load speed:	13000rpm(High)/9000rpm(Low)
Power:	350W
Air speed:	120MPH(High) / 50MPH(Low)
Output wind flow:	110CFM
Carton measurement (mm):	415*495*380 (6 pcs included)
G.W/N.W(Kg):	10/9
Pcs. per 20' FCL:	2196
Pcs. per 40' FCL:	4752
Pcs. Per 40' HQ FCL:	5544

2 steps speed control switch

Quick release button

Handle with soft grip





# Electric Vacuum Blower

## A02-003A

Rated vol:	230V-240V~/50Hz
Rated power:	2800w-3300 W
No load speed:	14000 RPM
Single speed:	Blow air speed 270km/h
Collection bag:	45L
Mulching ratio:	10:1
Carton measurement (mm):	465*175*350
G.W/N.W(Kg):	4.3/3.7
Pcs. per 20' FCL:	1075
Pcs. per 40' FCL:	2100
Pcs. Per 40' HQ FCL:	2425

Handle with soft grip

Auxiliary handle  
Angle adjustment, suitable for different heights

Rake  
Angle adjustment, easy to collect leaves

Front support wheel  
Easy for manoeuverability and energy saving

Volute cover  
Easy to clean internal waste

Air volume adjustable switch

Blow/Vacuum selection lever



Push rod

Auxiliary tool

Detachable collection bag

For a no-mess solution to collect chippings

Practical handle

Makes it so easy to move

Safety lock knob

Machine stops working after releasing the lock knob, enhance safety

Start switch

With waterproof cover, to reduce the risk of electric shock and short

Large wheels

For easy pushing, and enhance working stability



## 230V 2400W Electric Garden Shredder

### HS-GT1817

Rated vol:	230V-240V ~/50Hz
Rated power:	2400W
No-load speed:	4,500/min
Max. cutting diameter:	45mm
Collection bag:	50L
Carton measurement (mm):	655*285*380
G.W/N.W(Kg):	11/10
Pcs. per 20' FCL:	410
Pcs. per 40' FCL:	820
Pcs. Per 40' HQ FCL:	1000



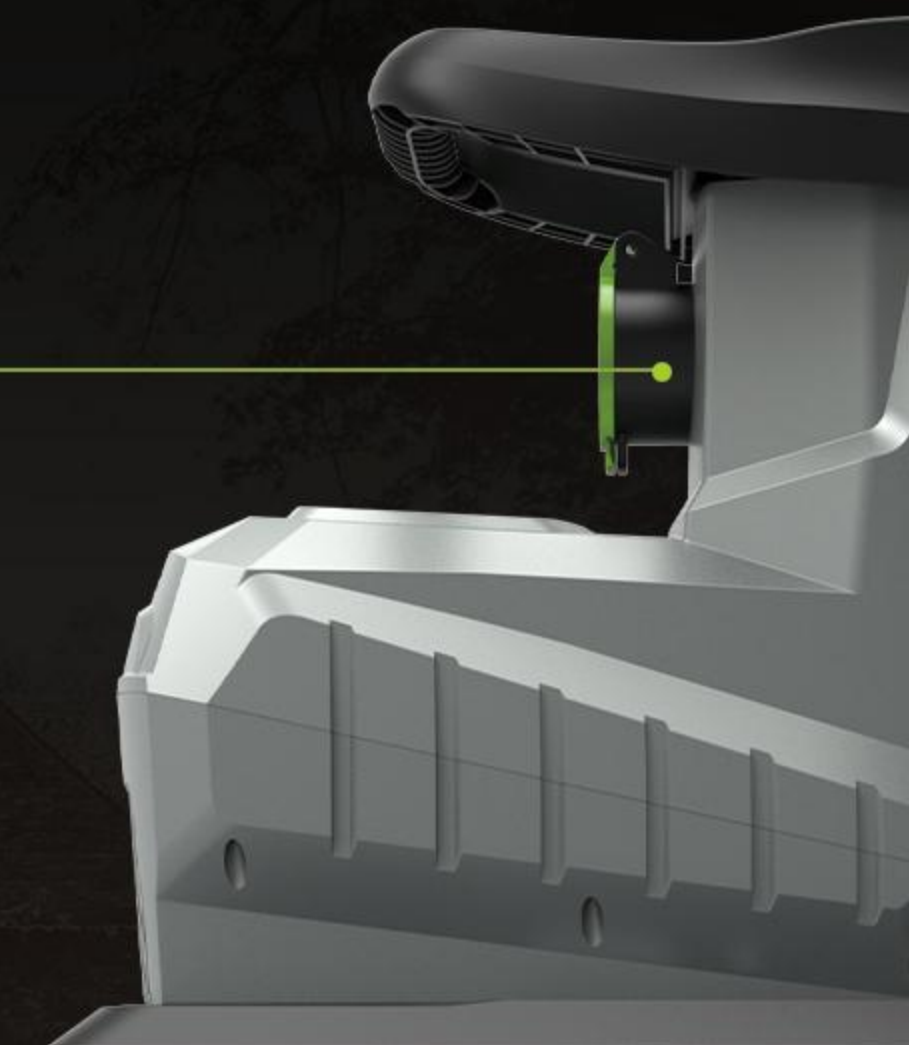


# 230V 2500W Electric Silent Garden Shredder

## HS-GT1813

Rated vol:	230V-240V ~/50Hz
Rated power:	2500W
No-load speed:	4,500/min-1
Max. cutting diameter:	45mm
Collection bag:	60L
Carton measurement (mm):	560*405*510
G.W/N.W(Kg):	13/11.5
Pcs. per 20' FCL:	224
Pcs. per 40' FCL:	484
Pcs. Per 40' HQ FCL:	605

Practical handle  
Makes it so easy to move



Waterproof socket  
Enhance safety of users

Push rod  
Auxiliary tool

Large container  
Reduce to empty waste,  
extend working time

Large wheels  
For easy pushing, and enhance  
working stability







# CORDLESS PRODUCTS





## 20V Cordless Blower

### L02-007A

Motor:	brush motor
Voltage:	20V
No load speed:	13000rpm(High)/9000rpm(Low)
Power:	300W
Air speed:	120MPH(High) / 50MPH(Low)
Output wind flow:	110CFM
Carton measurement (mm):	385×335×380 (4pcs included)
G.W/N.W(Kg):	8.2/7.2
Pcs. per 20' FCL:	2520
Pcs. per 40' FCL:	5220
Pcs. Per 40' HQ FCL:	5800

Handle with soft grip

Quick release button

2 steps speed control switch



Soft grip

Ergonomic handle

Quick release button

Large air inlet

High efficiency axial flow design,  
high speed, big airflow



## 20V Cordless Blower

### L02-002A

No-load speed:	15000rpm±500
Power:	300W
Electrical current:	15A
Outlet speed:	80MPH (36.4M/S)
Output wind flow:	250CFM (7.1m³/min)
Discharge time:	2AH: 8 minutes, 4AH: 16 minutes
Noise level (dB):	96db
Carton measurement (mm):	870×230×190 (2pcs included)
G.W/N.W(Kg):	5.4/4.2
Pcs. per 20' FCL:	1536
Pcs. per 40' FCL:	3216
Pcs. Per 40' HQ FCL:	3752



### Soft grip

Ergonomic handle

### Brake

Quick brake ,improve safety

### Guide bar & chain saw

High performance chain,  
make working a pleasure



## 20V Cordless Chain Saw

### L07-001A

Rated Vol:	20V
Gearbox:	metal gear
Chain speed:	6m/s
Chain length:	12" bar and chain
Oil tank capacity:	270 ml (incl. oil window)
G.W/N.W(Kg):	11/8.8
Pcs. per 20' FCL:	1062
Pcs. per 40' FCL:	2214
Pcs. Per 40' HQ FCL:	2460



### Lock rotary knob

### Tool-free chain tensioning

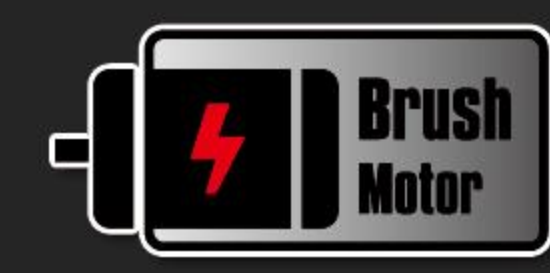




# 20V Cordless Pole Saw

## L12-001A

Voltage:	20V
Motor:	brush motor
Chain speed:	4.5m/s
Cutting diameter:	200mm(8")
Oil Tank capacity:	60ml
Material of telescopic tube:	glass fiber
Max length	2.5 m
Min length	1.7 m
Carton measurement (mm):	1286×225×108 ( 2pcs included )
G.W/N.W(Kg):	8(2pcs) / 7(2pcs)
Pcs. per 20' FCL:	1892
Pcs. per 40' FCL:	4004
Pcs. Per 40' HQ FCL:	4368





# 40V Cordless Axial Flow Blower

## L02-005A

No-load speed:	14000/16000/18000/20000rpm
Power:	1000W
Voltage:	40V (20Vx2)
Wind speed (m/s):	33.5/38.5/42.5/45.5 M/S
Wind volume(cfm):	220/250/280/320 cfm
Noise level (dB):	102db
Carton measurement (mm):	500×452×552 (4pcs included)
G.W/N.W(Kg):	5/3.8
Pcs. per 20' FCL:	756
Pcs. per 40' FCL:	1596
Pcs. Per 40' HQ FCL:	1862

Handle with soft grip

Ergonomic handle

Soft button control panel

Transparent air tube,  
highlight deflector

Fast release button, easy  
for fast detachable tube

Dual Battery  
Compartment

Honeycomb shaped design

Enhance the strength





## 40V Cordless Leaf and Lawn Collector

### L19-001A

Rated Vol:	40V (20Vx2)
Motor:	brush motor
Variable speed:	320-450rpm
Sweeper width:	560mm
Adjustment range:	0-40 mm
Wheel size:	250 mm
Collection bag capacity:	100L
Carton measurement (mm):	600×490×300
G.W/N.W(Kg):	13/10.9
Pcs. per 20' FCL:	294
Pcs. per 40' FCL:	637
Pcs. Per 40' HQ FCL:	728

Full handle switch

Height adjustment

Dual battery  
compartment





# 40V Cordless Sweeper

## L18-001A

Rated Vol:	40V (20Vx2)
Disk brush working speed:	200rpm
Cylindrical brush working speed:	500rpm
Sweeper width:	680mm
Disk brush diameter:	270mm X 2 pcs
Rear wheel:	200mm PVC rubberised wheel
Front caster wheel:	50mm PVC rubberised wheel
Waste container capacity:	24L
Carton measurement (mm):	630x550x290
G.W/N.W(Kg):	12.5/11
Pcs. per 20' FCL:	296
Pcs. per 40' FCL:	616
Pcs. Per 40' HQ FCL:	693







# MANUAL PRODUCTS





# 530 Leaf and lawn collector

## S19-001A

Sweeper width:	530mm (21-inch)
Drive type:	hand push
Rubbish bin capacity:	33CM
Materials:	100 L Textur des
central height adjustmen:	0-40mm
Number of leaf brush :	8pcs
wheels size:	250mm
Carton Measurement (mm):	680×440×310
G.W/N.W(Kg):	7.9/6.5
Pcs. per 20' FCL:	280
Pcs. per 40' FCL:	616
Pcs. Per 40' HQ FCL:	704

### Ergonomic handle with foam

Soft feeling, comfortable use

### Collecting bag

Massive 100L perfect capacity collector, extending working time

### Angle adjustment function

Adaptation to the height of the respective users

### Height adjustment

Easy to adjust for adaptation to the ground

### Large wheels

Effortless work for users





## 650 Manual sweeper

### S13-001A

Sweeper width:	650mm
Drive type:	hand push
Rubbish bin capacity:	20 L vertical
wheels size:	Front 50mm, Rear200mm
Carton Measurement (mm):	630×550×290
G.W/N.W(Kg):	11/9.6
Pcs. per 20' FCL:	296
Pcs. per 40' FCL:	616
Pcs. Per 40' HQ FCL:	693

### Ergonomic handle with foam

Soft feeling, comfortable experience

### Quick release clamp

Saving space for transport and storage

### Waste Hopper

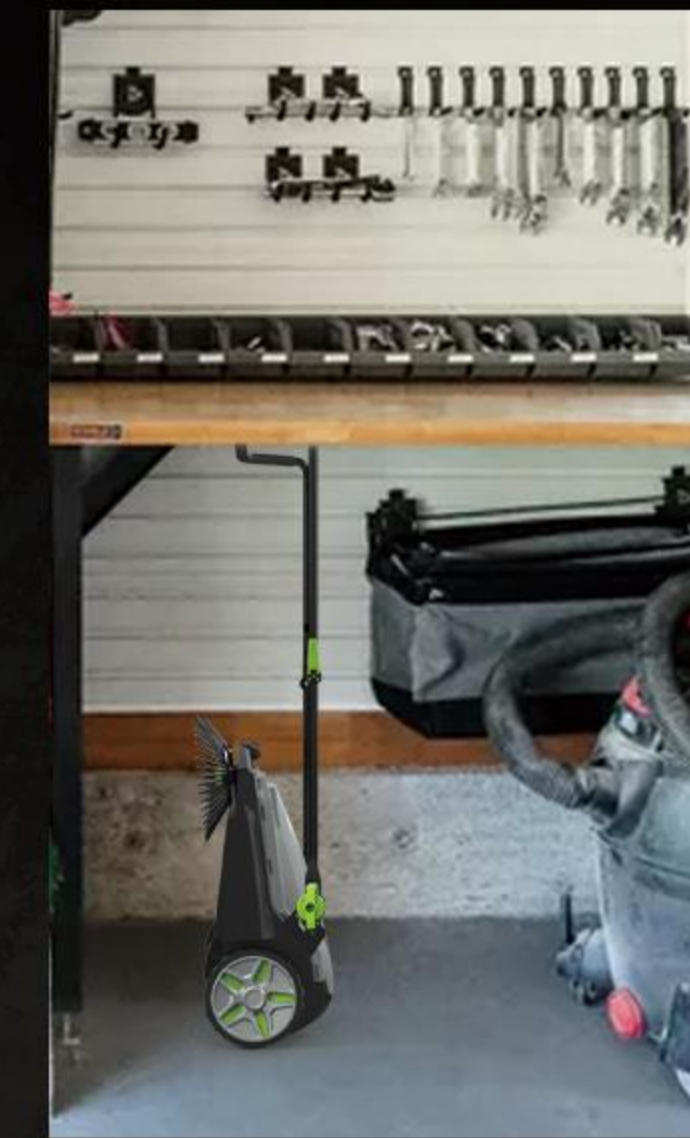
Large container volume for efficient work

### Large wheels

The rubber wheels, better grip to the ground, Enjoyably effortless

### Round brush

Long bristle sweep small and large debris more easily



Vertical standing  
Save storage space

